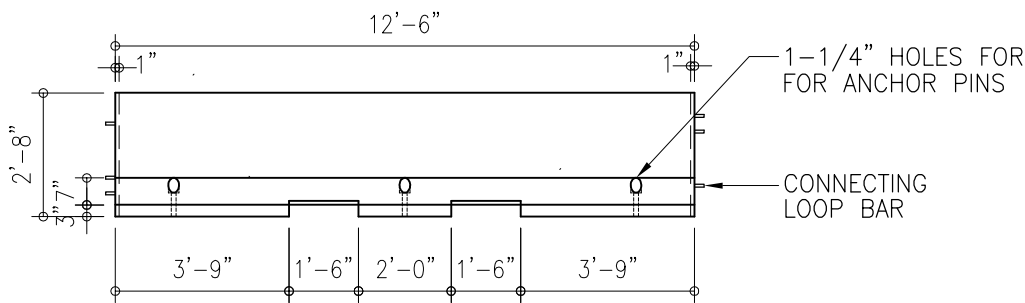
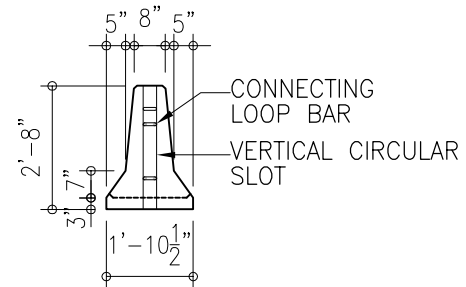


A ISOMETRIC



B ELEVATION



C END VIEW

STRUCTURE	-
LOCATION	-
OWNER	-
DESIGNER	-
CONTRACTOR	-

ROCKY MOUNTAIN PRECAST	REV. NO.	DETAILS OF REVISION	DATE
	-	-	-

SHEET TITLE:	
-	
PROJECT DTR:	-
COORDINATOR:	-
DRAWN BY:	-
DATE:	-
CHECKED BY:	-
DATE:	-
JOB NUMBER / SHEET:	
-	

10/26/2017 2:15 PM