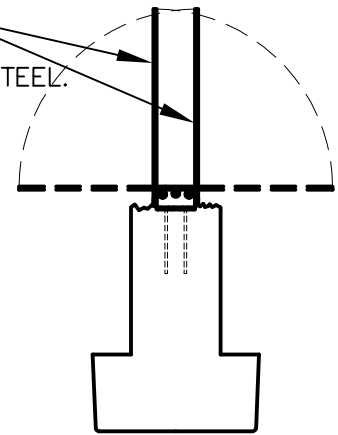
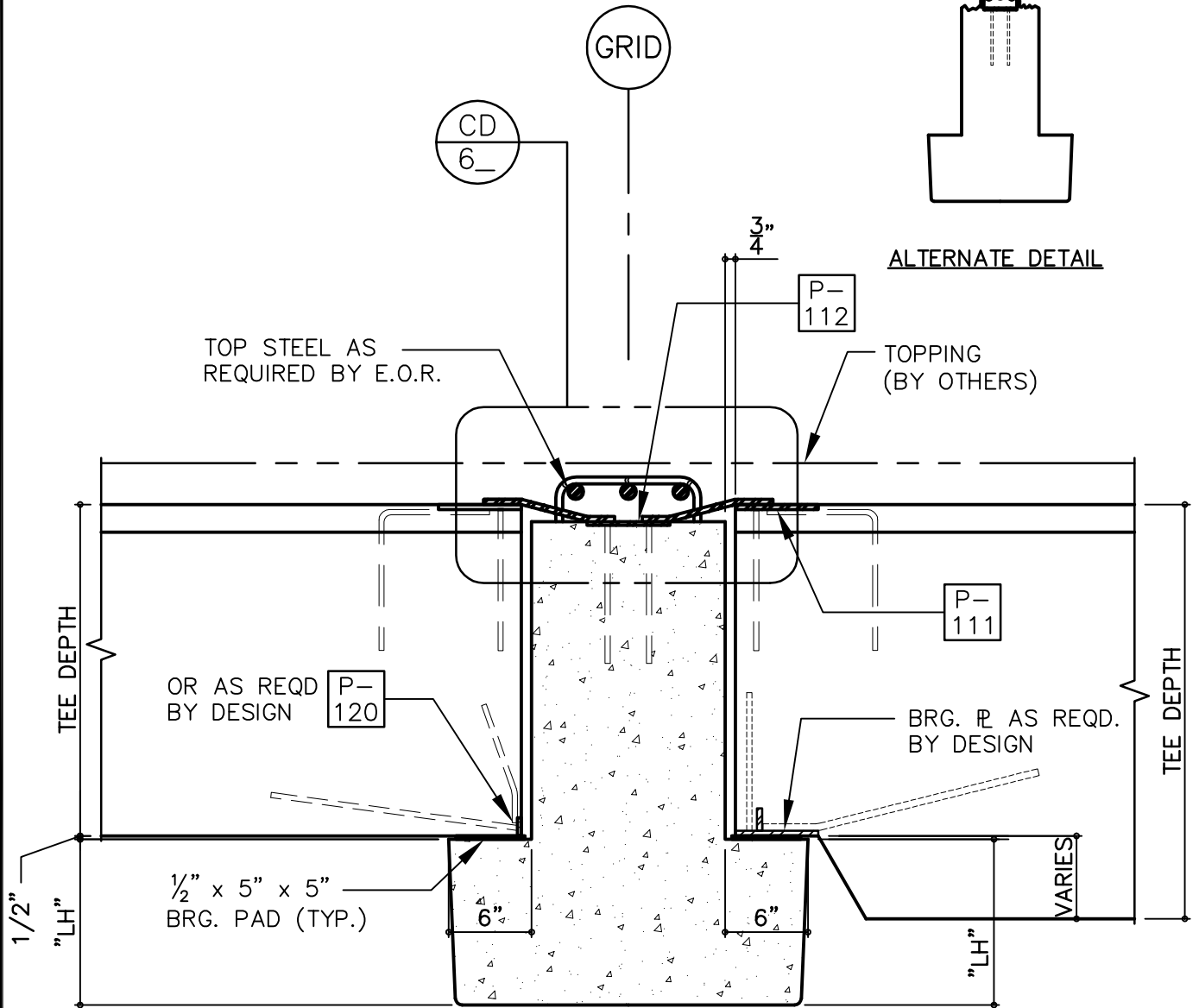


**STANDARD DETAIL**

BEND BARS DOWN INTO TOPPING AFTER PLACEMENT OF TOP STEEL. (BY OTHERS)



**ALTERNATE DETAIL**



**NOTES:**

1. "LH" IS 12" TYPICAL. CONSULT RMP FOR ALTERNATES.
2. HOLD TOP OF BEAM 1" BELOW TOP OF DOUBLE TEE.
3. TEE DEPTH VARIES. CONSULT RMP FOR ALTERNATES.

ISSUED MAY 2015

REVISED

TEE FLOOR OR  
ROOF BEARING ON  
INVERTED TEE BEAM

**DT-4**