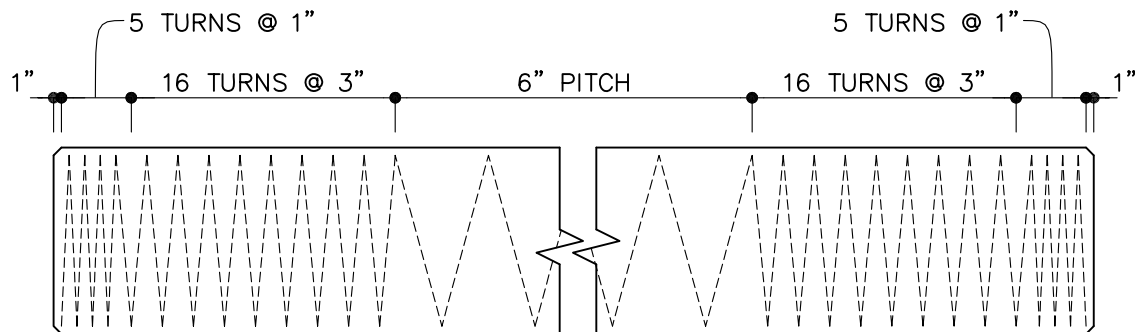
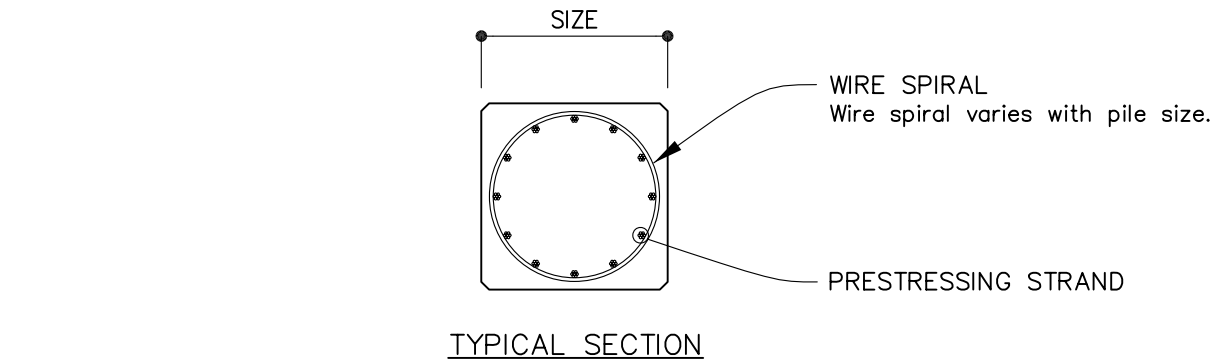


PRECAST/PRESTRESSED PILES DATA



SECTION PROPERTIES

SIZE in.	AREA in. ²	WEIGHT lb/ft	MOMENT OF INERTIA in. ⁴	SECTION MODULUS in. ³	RADIUS OF GYRATION in.	PERIMETER ft.	ALLOWABLE CONCENTRIC SERVICE LOAD, TONS ² 6000 psi
10	100	104	833	167	2.89	3.33	89
12	144	150	1728	288	3.46	4.00	129
14	196	204	3201	457	4.04	4.67	175
15	225	234	4219	563	7.50	5.00	202
16	258	267	5461	683	4.82	5.33	229
18	324	338	8748	972	5.20	6.00	290
20	400	417	13333	1333	5.77	6.67	358
24	576	600	27648	2304	6.93	8.00	515

NOTES:

1. Capacity and details are based on P.C.I. standards.
2. Individual pile design may be required under specific load conditions.
3. For information only. Engineer of Record is to specify pile size and design.

