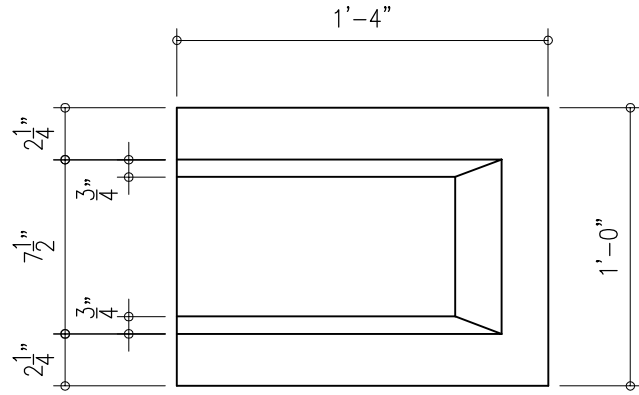
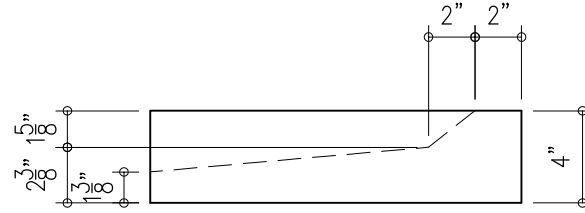


A ISOMETRIC



B PLAN VIEW



C SIDE VIEW

10/26/2017 2:19 PM

SHEET TITLE:

-

PROJECT DTR: -

COORDINATOR: -

DRAWN BY: -

DATE: -

CHECKED BY: -

DATE: -

JOB NUMBER / SHEET:

-

STRUCTURE - -
 LOCATION - -
 OWNER - -
 DESIGNER - -
 CONTRACTOR - -



ROCKY MOUNTAIN PRECAST

REV. NO.	DETAILS OF REVISION	DATE
-	-	-