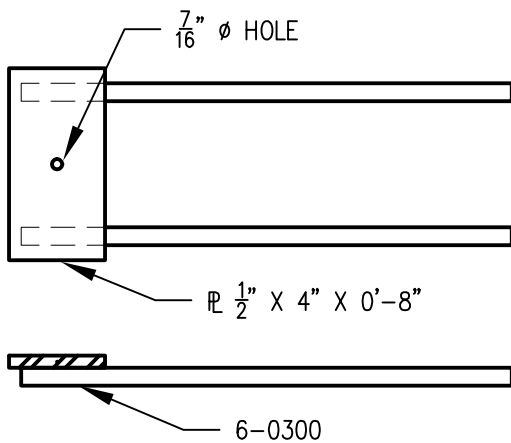
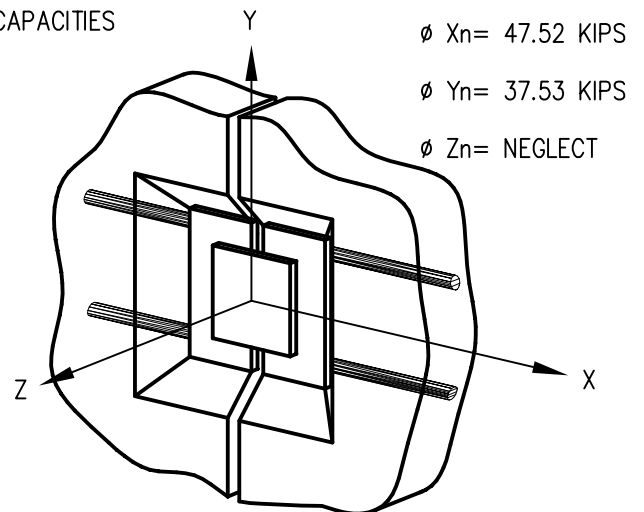


P-208



CAPACITIES



ISSUED MAY 2015

REVISED

WALL PANEL TO WALL PANEL
VERTICAL JOINT, LIGHT

W-1