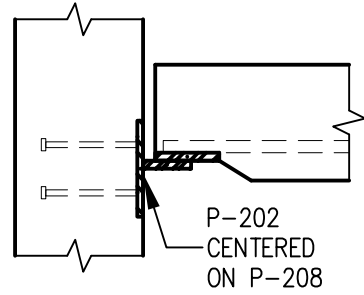


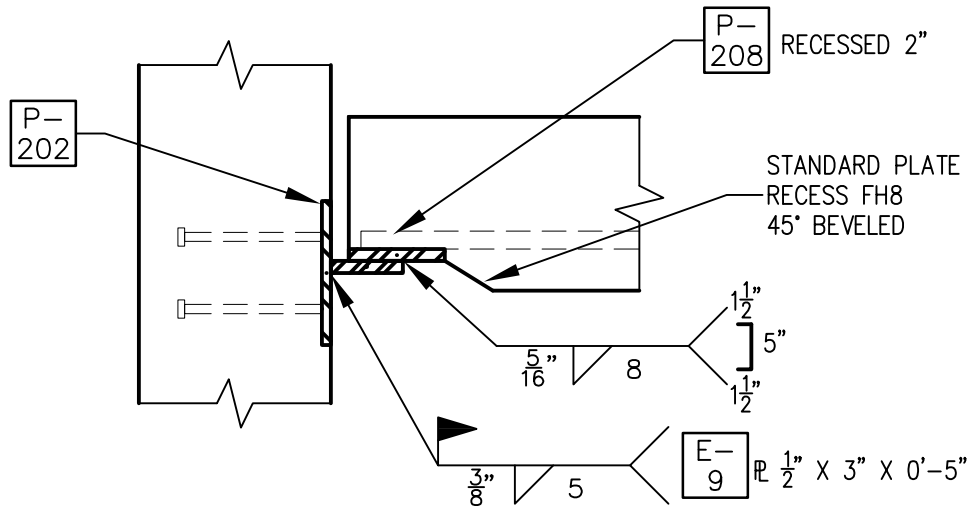
INSIDE CORNER

CD
34A

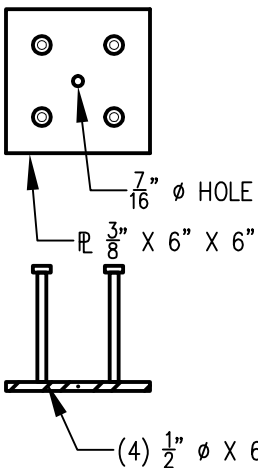


INTERSECTION

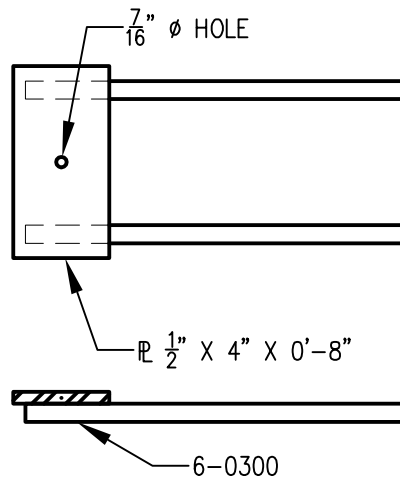
CD
34B



P-202

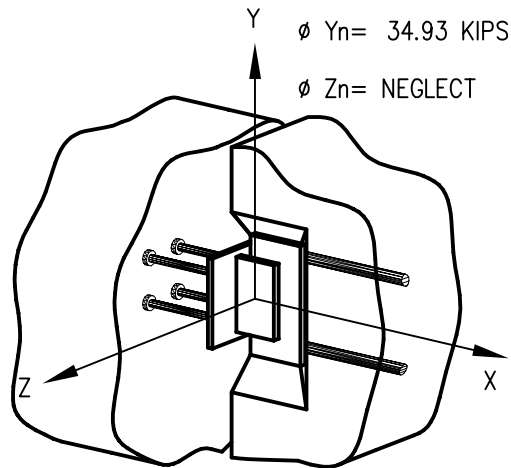


P-208



CAPACITIES

ϕ Xn= 18.23 KIPS
 ϕ Yn= 34.93 KIPS
 ϕ Zn= NEGLECT



ISSUED MAY 2015

REVISED

WALL PANEL TO WALL PANEL
VERTICAL CORNER JOINT, LIGHT

W-3